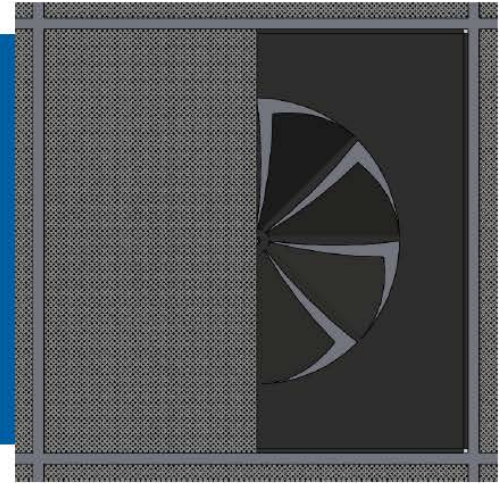
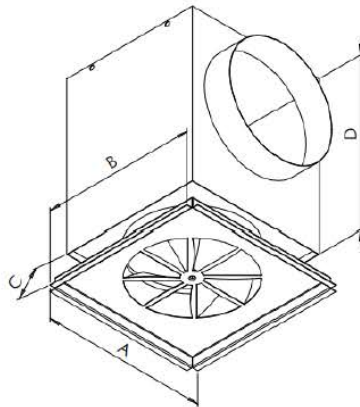
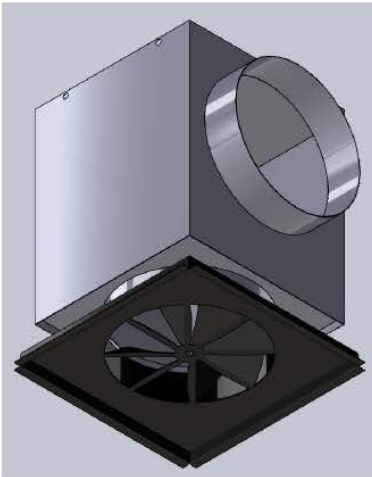


JLFT DIFFUSER

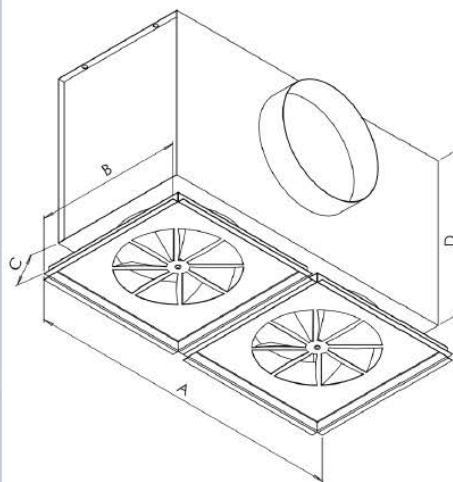
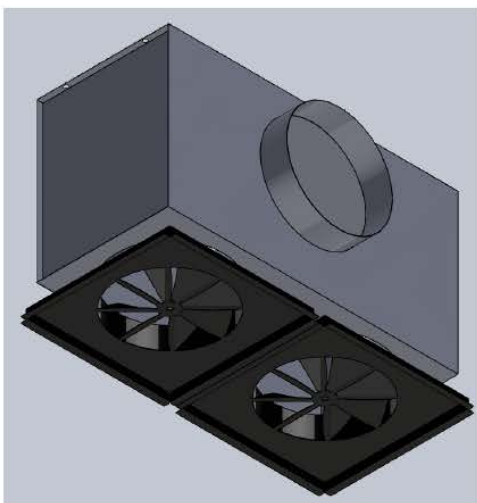
The JLFT Diffuser has been designed to work with low free area tiles - typically 22% - such as the SAS 15/22 pattern ceiling, enabling the use of standard metal ceiling tiles. This creates a consistent ceiling appearance with no obvious visible signs of the diffuser. The air is distributed evenly through the perforated tile inducing room air leading to rapid decay of supply air velocities and air temperature differentials. The unique air pattern of the diffuser also creates a layer of clean air.



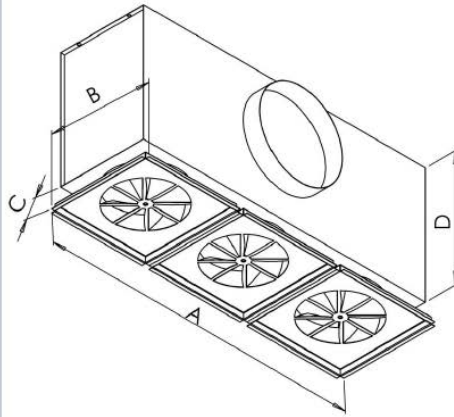
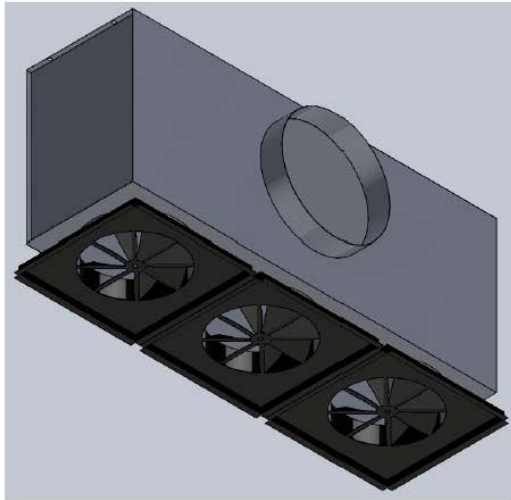
Multiple Variations



	A	B	C	D
	292	292	58mm	Spigot + 100mm
	392	392	58mm	Spigot + 100mm
	592	592	58mm	Spigot + 100mm

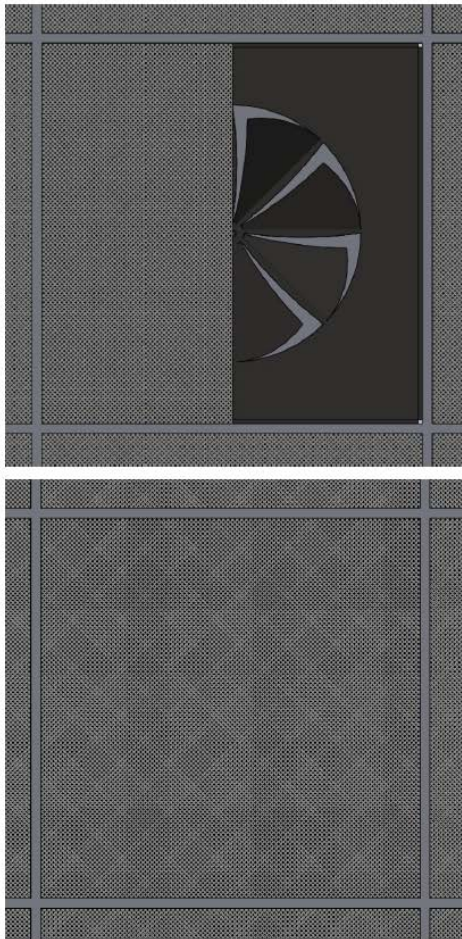


	A	B	C	D
	584	292	58mm	Spigot + 100mm

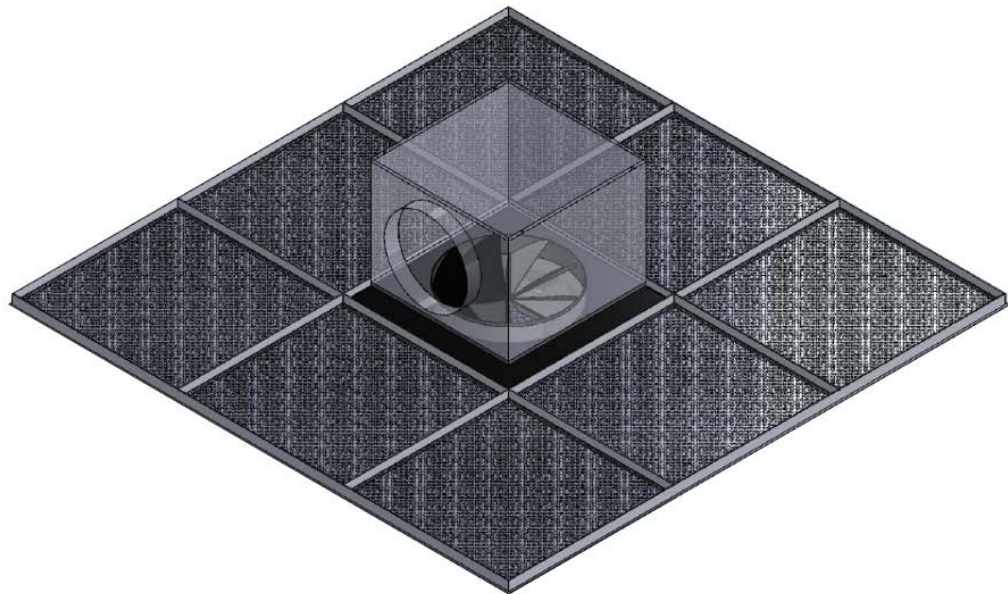


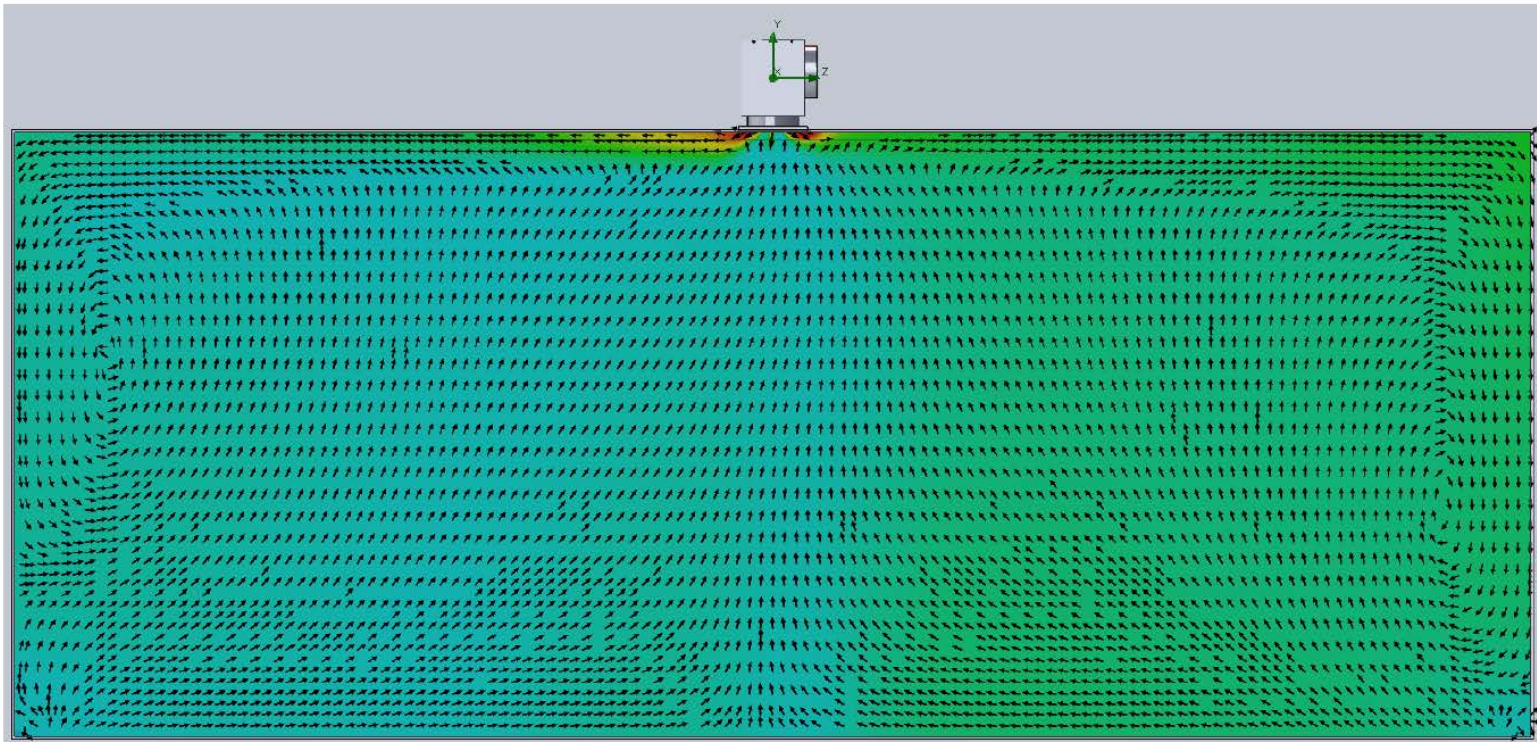
A	B	C	D
876	292	58mm	Spigot + 100mm

Invisible Behind The Tile



Behind The Ceiling Grid





Size	Singles									
	L/s	20	25	30	35	40	45	50	55	60
292 x 292	Throw m 0.25 - 0.5 m/s	0.3 - 0.1	0.4 - 0.2	0.4 - 0.2	0.5 - 0.2	0.6 - 0.3	0.6 - 0.3	0.7 - 0.4	0.8 - 0.4	0.8 - 0.4
	Pa	4	6	8	11	15	19	23	28	33
	NR	6	12	17	22	25	29	32	34	37
392 x 392	L/s	30	35	40	45	50	55	60	65	70
	Throw m 0.25 - 0.5 m/s	0.3 - 0.2	0.4 - 0.2	0.4 - 0.2	0.5 - 2	0.5 - 0.3	0.6 - 0.3	0.6 - 0.3	0.7 - 0.3	0.7 - 0.4
	Pa	7	10	12	16	19	24	28	33	38
592 x 592	NR	12	17	20	24	27	29	32	34	36
	L/s	50	60	70	80	90	100	110	120	130
	Throw m 0.25 - 0.5 m/s	0.5 - 0.2	0.6 - 0.3	1 - 0.5	1.1 - 0.6	1.3 - 0.6	1.4 - 0.7	1.5 - 0.8	1.7 - 0.8	1.8 - 0.9
	Pa	2	3	4	5	7	8	10	12	14
	NR	10	15	19	23	26	29	32	34	37

Size	Doubles									
	L/s	50	60	65	70	75	80	90	100	110
584 x 292	Throw m 0.25 - 0.5 m/s	0.8 - 0.4	1 - 0.5	1.1 - 0.5	1.2 - 0.6	1.3 - 0.6	1.4 - 0.7	1.5 - 0.8	1.7 - 0.8	1.9 - 0.9
	Pa	7	10	11	13	15	17	22	27	33
	NR	15	20	22	24	26	28	31	34	37

Size	Triples									
	L/s	85	90	95	100	110	120	130	140	150
876 x 292	Throw m 0.25 - 0.5 m/s	1 - 0.5	1.1 - 0.6	1.2 - 0.6	1.2 - 0.6	1.4 - 0.7	1.5 - 0.7	1.6 - 0.8	1.7 - 0.9	1.9 - 0.9
	Pa	11	13	14	16	19	22	26	30	35
	NR	26	27	29	30	33	35	38	40	42

Testing Carried Out On SAS 15/22 Perforated Pattern