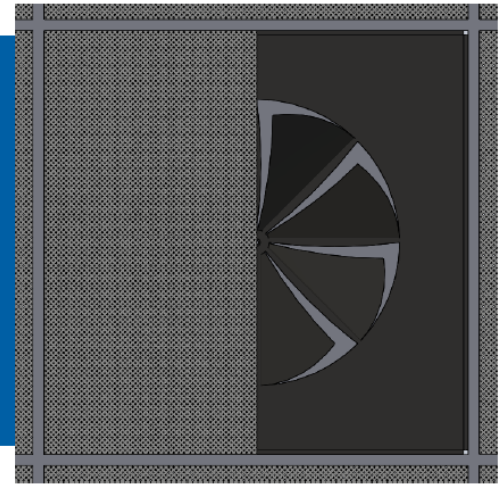
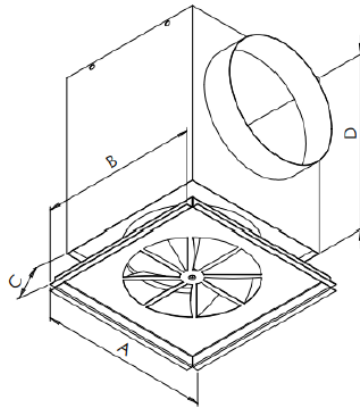
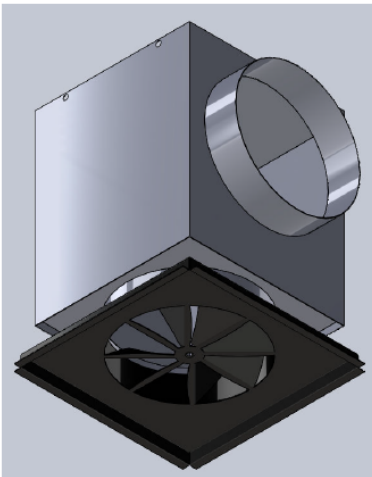


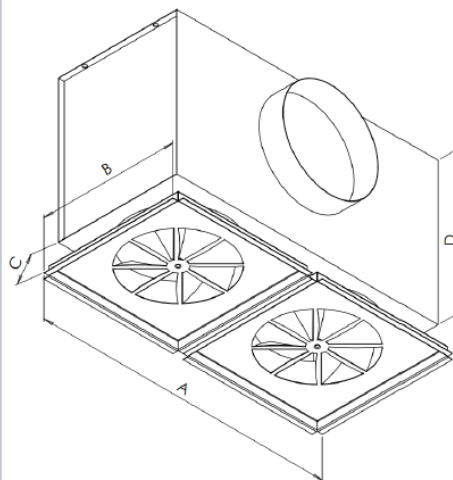
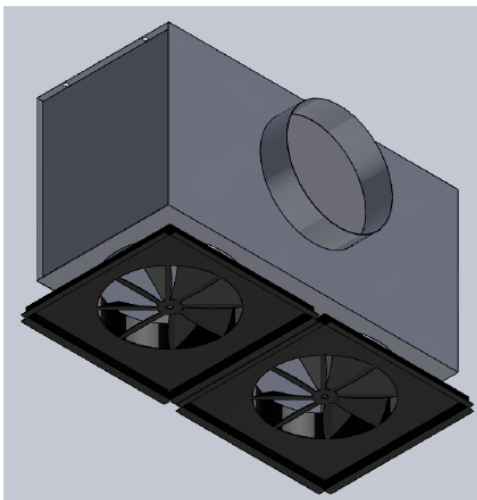
The JLFT Diffuser has been designed to work with low free area tiles - typically 23% - enabling the use of standard metal ceiling tiles. This creates a consistent ceiling appearance with no obvious visible signs of the diffuser. The air is distributed evenly through the perforated tile inducing room air leading to rapid decay of supply air velocities and air temperature differentials. The unique air pattern of the diffuser also creates a layer of clean air



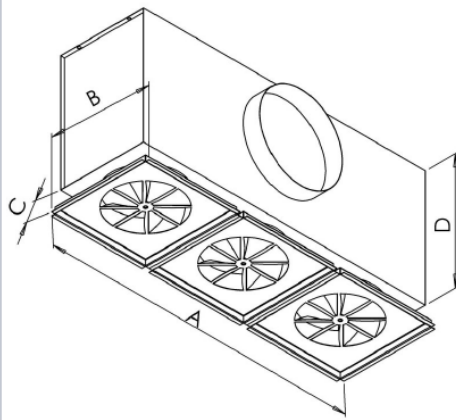
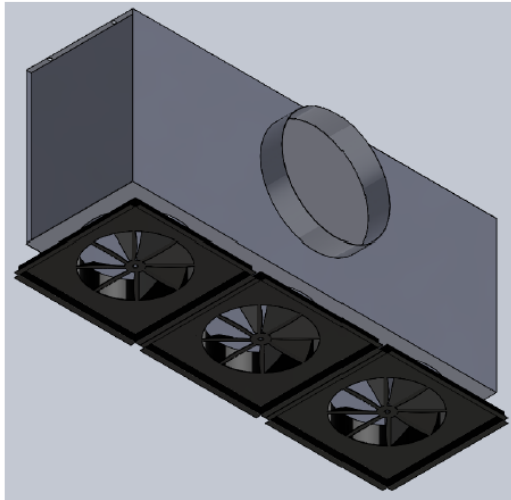
Multiple Variations



A	B	C	D
292	292	58mm	Spigot + 100mm
392	392	58mm	Spigot + 100mm
592	592	58mm	Spigot + 100mm



A	B	C	D
584	292	58mm	Spigot + 100mm

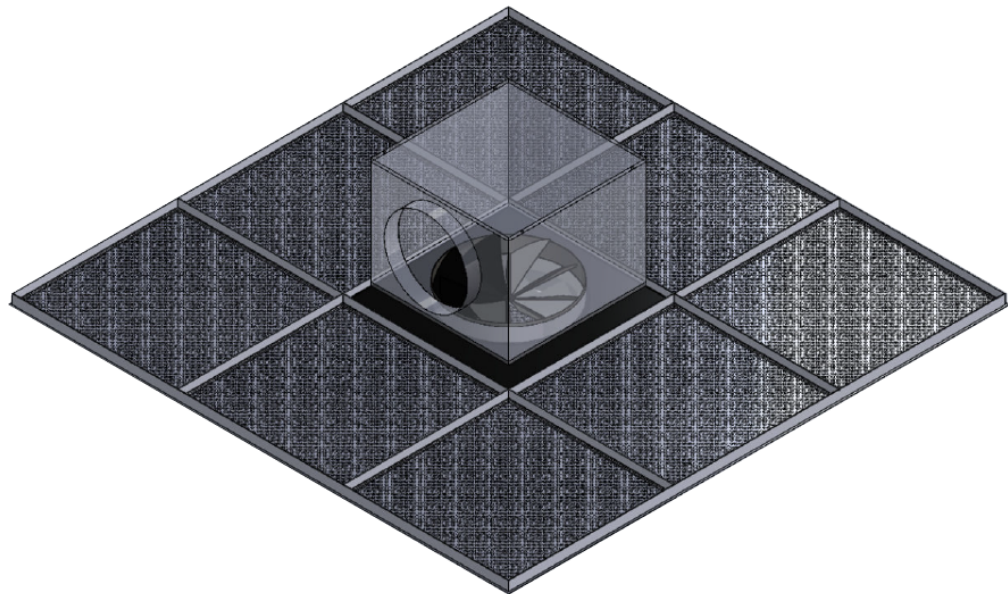


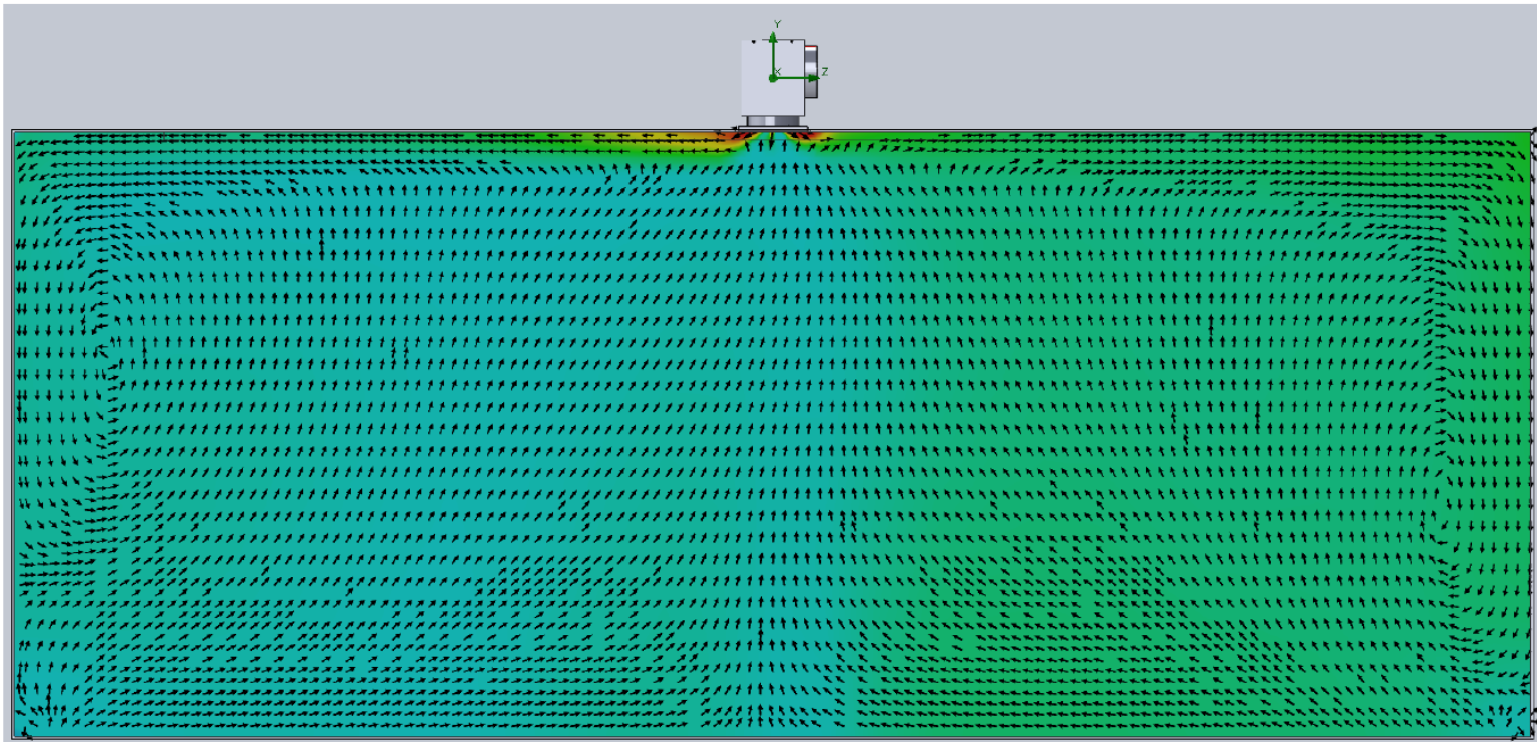
A	B	C	D
876	292	58mm	Spigot + 100mm

Invisible Behind The Tile



Behind The Ceiling Grid





Size	Singles									
292 x 292	L/s	20	25	30	35	40	45	50	55	60
	Throw m 0.25 - 0.5 m/s	0.3 - 0.1	0.4 - 0.2	0.4 - 0.2	0.5 - 0.2	0.6 - 0.3	0.6 - 0.3	0.7 - 0.4	0.8 - 0.4	0.8 - 0.4
	Pa	4	6	8	11	15	19	23	28	33
	NR	6	12	17	22	25	29	32	34	37
392 x 392	L/s	30	35	40	45	50	55	60	65	70
	Throw m 0.25 - 0.5 m/s	0.3 - 0.2	0.4 - 0.2	0.4 - 0.2	0.5 - 2	0.5 - 0.3	0.6 - 0.3	0.6 - 0.3	0.7 - 0.3	0.7 - 0.4
	Pa	7	10	12	16	19	24	28	33	38
	NR	12	17	20	24	27	29	32	34	36
592 x 592	L/s	50	60	70	80	90	100	110	120	130
	Throw m 0.25 - 0.5 m/s	0.5 - 0.2	0.6 - 0.3	1 - 0.5	1.1 - 0.6	1.3 - 0.6	1.4 - 0.7	1.5 - 0.8	1.7 - 0.8	1.8 - 0.9
	Pa	2	3	4	5	7	8	10	12	14
	NR	10	15	19	23	26	29	32	34	37

Size	Doubles									
584 x 292	L/s	50	60	65	70	75	80	90	100	110
	Throw m 0.25 - 0.5 m/s	0.8 - 0.4	1 - 0.5	1.1 - 0.5	1.2 - 0.6	1.3 - 0.6	1.4 - 0.7	1.5 - 0.8	1.7 - 0.8	1.9 - 0.9
	Pa	7	10	11	13	15	17	22	27	33
	NR	15	20	22	24	26	28	31	34	37

Size	Triples									
876 x 292	L/s	85	90	95	100	110	120	130	140	150
	Throw m 0.25 - 0.5 m/s	1 - 0.5	1.1 - 0.6	1.2 - 0.6	1.2 - 0.6	1.4 - 0.7	1.5 - 0.7	1.6 - 0.8	1.7 - 0.9	1.9 - 0.9
	Pa	11	13	14	16	19	22	26	30	35
	NR	26	27	29	30	33	35	38	40	42

Testing Carried Out On SAS 15/22 Perforated Pattern