

## CIRCULAR MULTI CONE DIFFUSER



## Product Description

Circular diffuser, with multiple cones, model JCD.  
It can incorporate a volume control damper and mounting accessories upon request.  
Finished in anodised aluminium or any RAL colour upon request.  
Recommended installation height is between 2.5 and 3m.

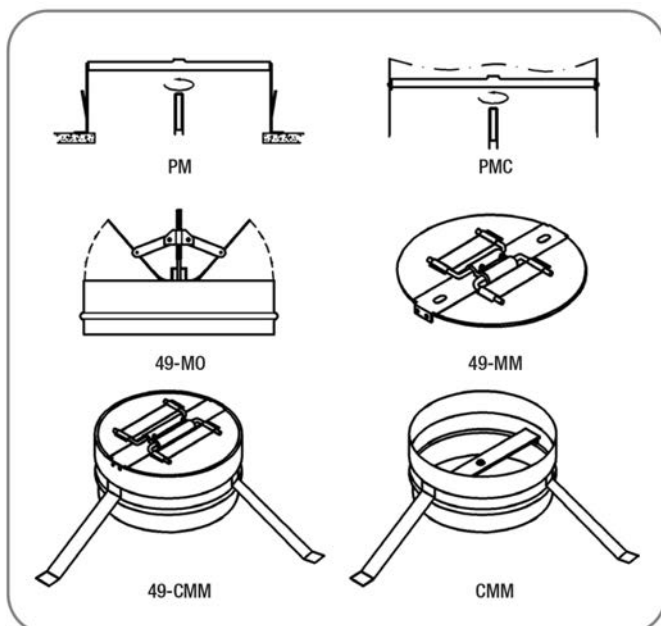
### Mounting:-

PM. With mounting bridge for sheet ducts.  
PMC. With mounting bridge for circular sheet ducts.  
49CMM. Mounting neck with flap damper for diffuser.

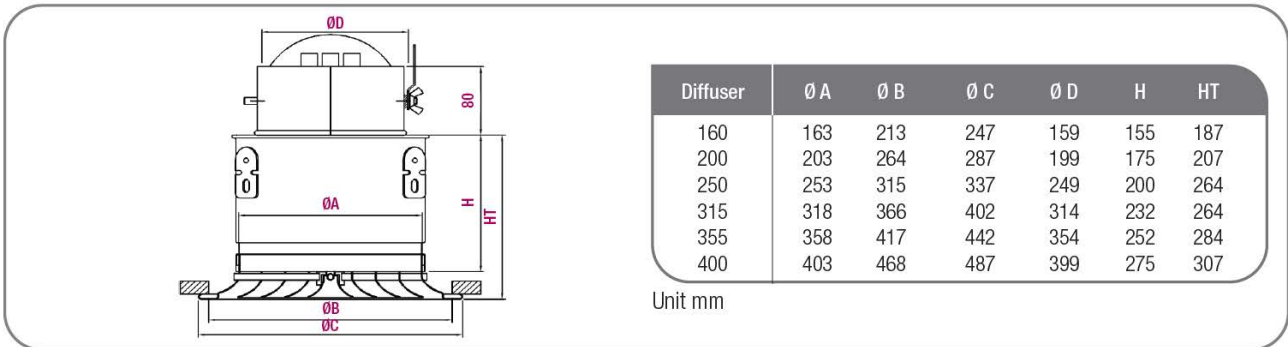
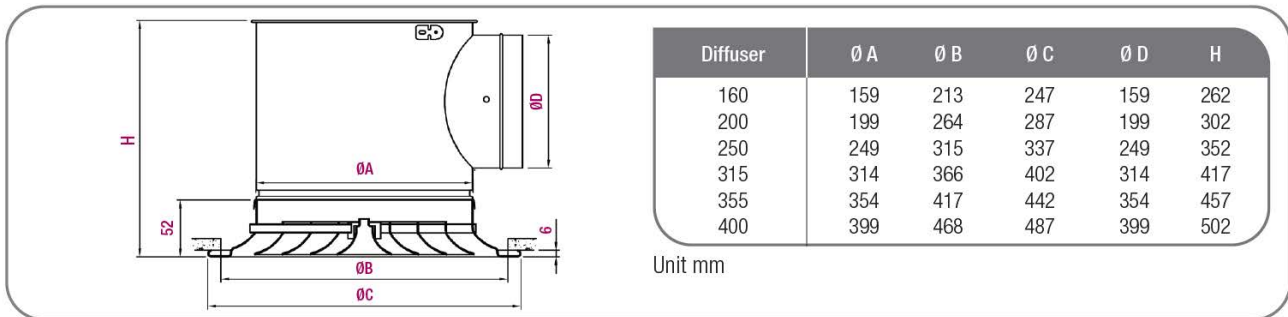
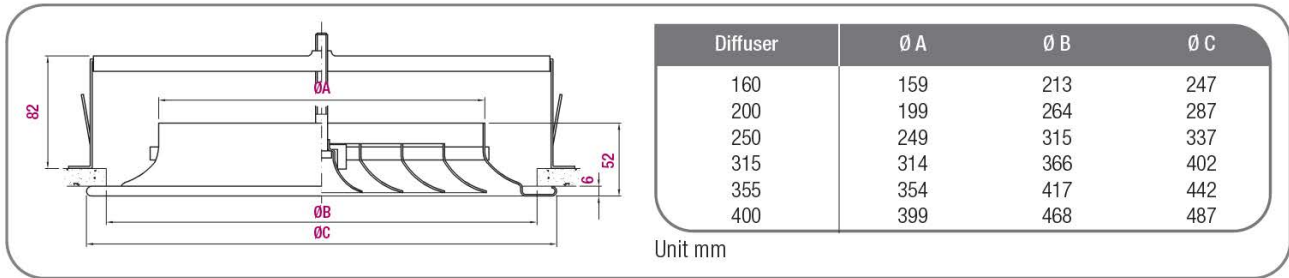
### Plenums :-

Side entry circular plenum in galvanized steel sheet.

Top entry circular plenum in galvanized steel sheet.



## Dimensions



## Performance Data

Size										
160	l/s	27.8	33.3	38.9	44.4	50	55.6	69.4	83.3	97.2
	Throw m 0.25 m/s	0.9	1.1	1.3	1.5	1.7	1.8	2.3	2.8	3.2
	Pa	3.6	5.1	7	9.1	11.5	14.2	22.2	32	43.6
	NR		4	9	14	18	22	29	36	41
200	l/s	27.8	33.3	38.9	44.4	50	55.6	69.4	83.3	97.2
	Throw m 0.25 m/s	0.8	0.9	1.1	1.2	1.4	1.5	1.9	2.3	2.6
	Pa	1.6	2.3	3.1	4	5.1	6.3	9.9	14.2	19.4
	NR				4	8	12	19	26	31
	l/s	111.1	125	138.9	166.7					
	Throw m 0.25 m/s	3	3.4	3.8	4.5					
250	l/s	27.8	33.3	38.9	44.4	50	55.6	69.4	83.3	97.2
	Throw m 0.25 m/s	0.6	0.7	0.9	1	1.1	1.2	1.5	1.8	2.1
	Pa	0.7	1	1.4	1.8	2.3	2.8	4.4	6.4	8.7
	NR						2	10	16	21
	l/s	111.1	125	138.9	166.7	194.4	222.2	250		
	Throw m 0.25 m/s	2.5	2.8	3.1	3.7	4.3	4.9	5.5		
	Pa	11.3	14.4	17.7	25.5	34.7	45.4	57.4		
	NR	26	30	34	40	46	50	54		
315	l/s	38.9	44.4	50	55.6	69.4	83.3	97.2	111.1	125
	Throw m 0.25 m/s	0.7	0.8	0.9	1	1.2	1.5	1.7	2	2.2
	Pa	0.6	0.8	1	1.2	1.9	2.8	3.8	4.9	6.3
	NR						6	11	16	20
	l/s	138.9	166.7	194.4	222.2	250	277.8	333.3	388.9	444.4
	Throw m 0.25 m/s	2.5	3	3.5	4	4.5	5	5	7	
	Pa	7.7	11.1	15.1	19.8	25	30.9	44.5	60.6	
	NR	24	30	35	40	44	48	54	60	
355	l/s	44.4	50	55.6	69.4	83.3	97.2	111.1	125	138.9
	Throw m 0.25 m/s	0.7	0.8	0.9	1.1	1.3	1.6	1.8	2	2.2
	Pa	0.5	0.7	0.8	1.3	1.8	2.5	3.2	4.1	5
	NR						6	11	15	19
	l/s	166.7	194.4	222.2	250	277.8	333.3	388.9	444.4	
	Throw m 0.25 m/s	2.7	3.1	3.6	4	4.5	5.4	6.3	7.2	
	Pa	7.3	9.9	12.9	16.4	20.2	29.1	39.6	51.7	
	NR	25	30	35	39	43	49	54	59	
400	l/s	55.6	69.4	83.3	97.2	111.1	125	138.9	166.7	194.4
	Throw m 0.25 m/s	0.8	1	1.2	1.4	1.6	1.8	2	2.4	2.8
	Pa	0.5	0.8	1.2	1.6	2.1	2.7	3.3	4.8	6.5
	NR					6	10	13	20	25
	l/s	222.2	250	277.8	333.3	388.9	444.4			
	Throw m 0.25 m/s	3.2	3.6	4	4.8	5.7	6.5			
	Pa	8.5	10.7	13.2	19	25.9	33.9			
	NR	30	34	37	44	49	54			