

PENTHOUSE LOUVRES



Quality and efficiency without compromise

AIR IN MOTION

PH series Penthouse louvres

Fixed blade external penthouse louvres with a choice of 50, 75 or 100 series blades. Sheet metal roof and rigid angle frame. Louvres are designed for applications where roof inlet and exhaust terminals are required whilst maintaining the characteristics of sidewall louvres when mounted on a flat roof.

Specification

Materials

Extruded aluminium grade ENAW 6063T6 to BSEN 755 -1 and -9.

Blades & mullions

PH50 as 50 series
PH75 as 75 series
PH100 as 100 series

Roofs

2.5mm aluminium sheet on aluminium angle rafters at 800mm centres.

Bird wire guard

Fitted as standard.

Insect screen

If specified.

Corners

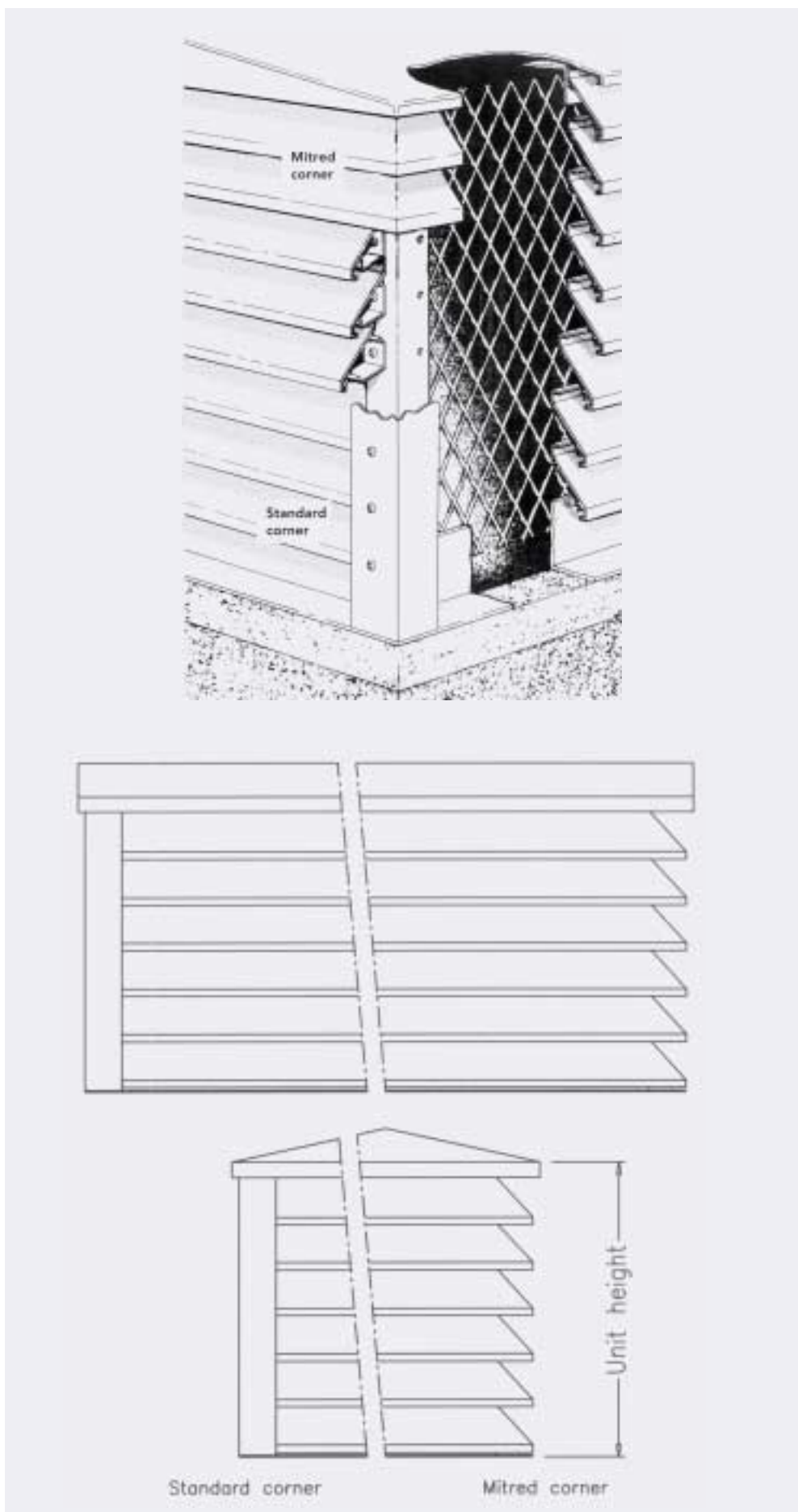
Standard or mitred depending on size.

Specials

The dimensions given opposite apply to standard PH50, PH75 and PH100 penthouse louvres only. Special kerb flange sizes available to suit particular applications please refer to our technical department for details.

Sizes

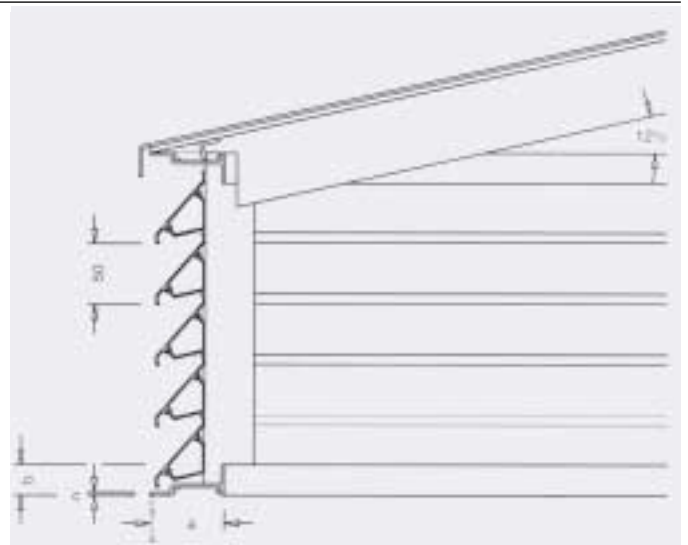
Specify the inside length and width dimensions of the builders work or timber roof upstand, together with the required height of the penthouse louvre as measured from top of upstand to base of penthouse roof. The penthouse will be manufactured to the nearest full blade size above if required dimension does not utilise exact blade centres. Specify penthouse roof type if not standard pitch as illustrated.



PH series Penthouse louvres

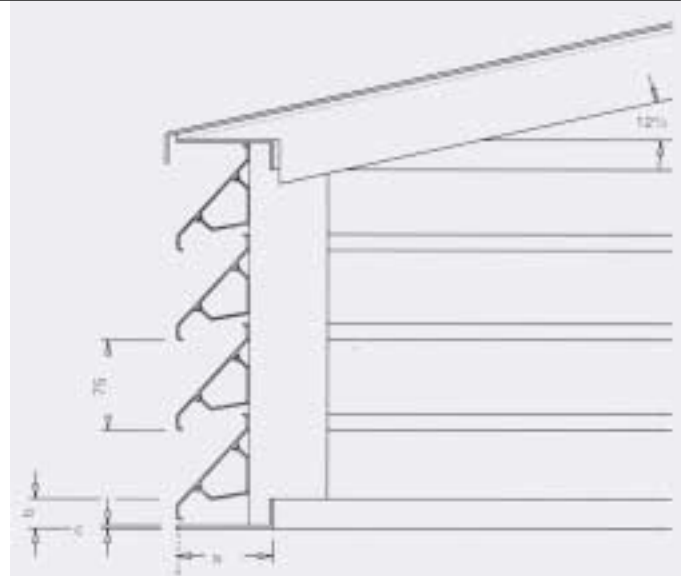
Type PH50

Dim	Description	Size mm
a	Kerb flange width	60
b	Kerb flange height	25
c	Flange thickness	2.25



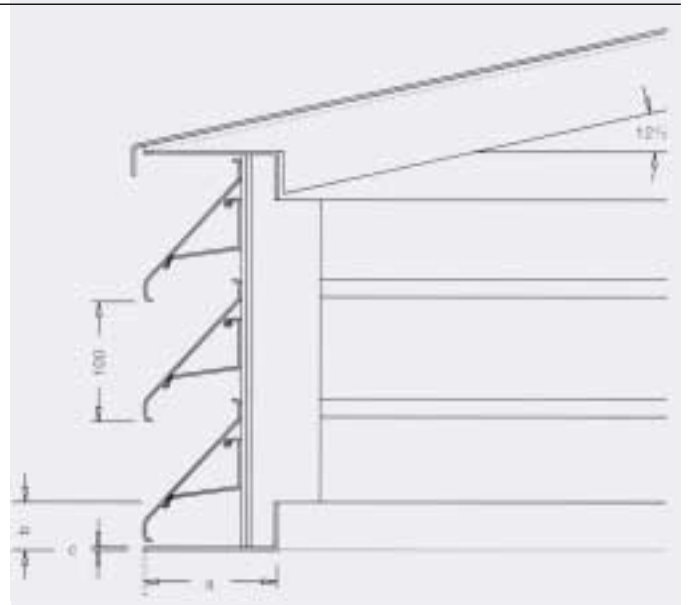
Type PH75

Dim	Description	Size mm
a	Kerb flange width	80
b	Kerb flange height	25
c	Flange thickness	2.5



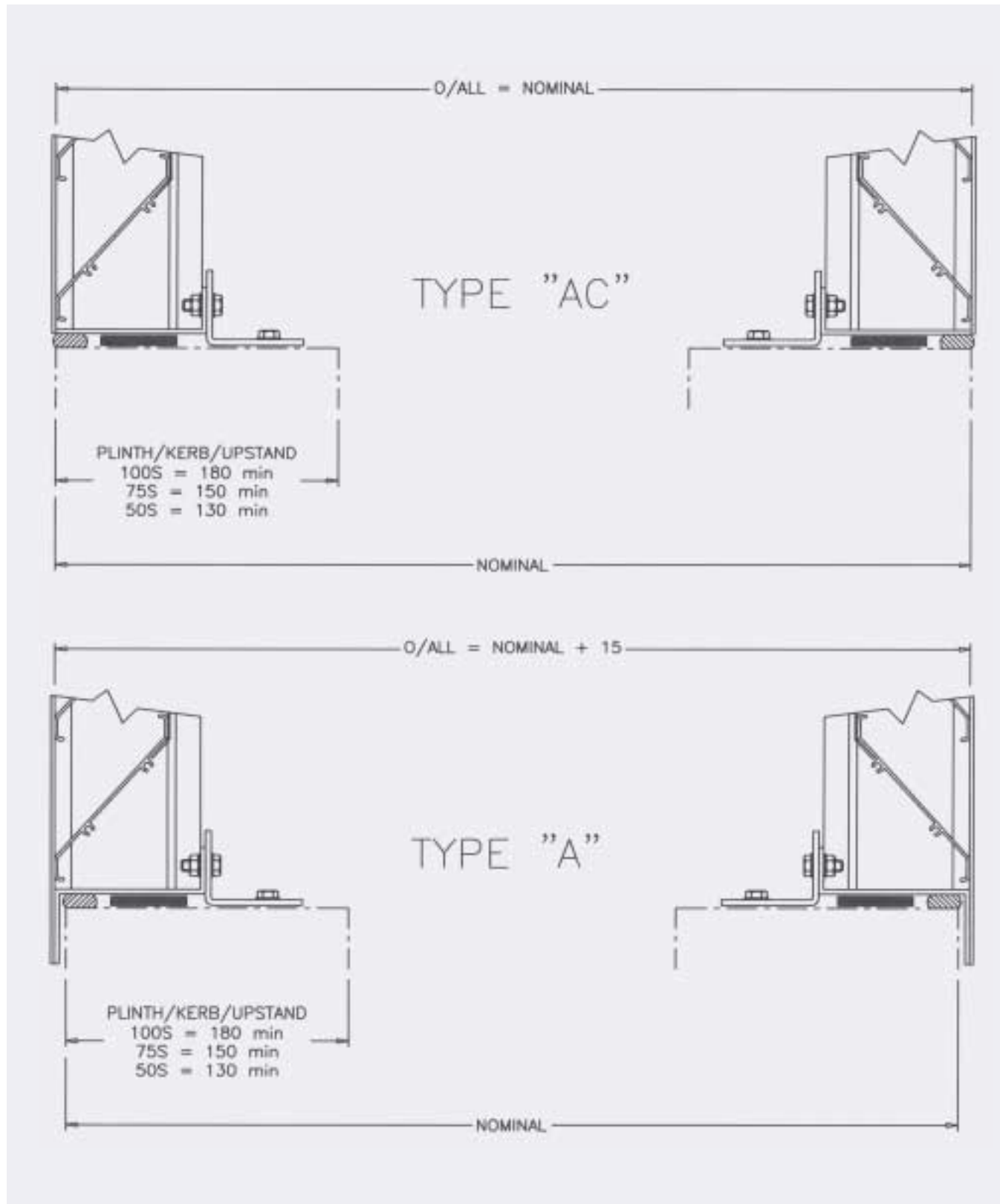
Type PH100

Dim	Description	Size mm
a	Kerb flange width	110
b	Kerb flange height	40
c	Flange thickness	2.5



PH Series Penthouse louvres

Size requirements





JPR Services - Weltech Business Centre - Ridgeway - Welwyn Garden City - Herts AL7 2AA
Tel: 01707 871526 - Fax: 01707 871527 - email sales@jprservices.co.uk - www.jprservices.co.uk